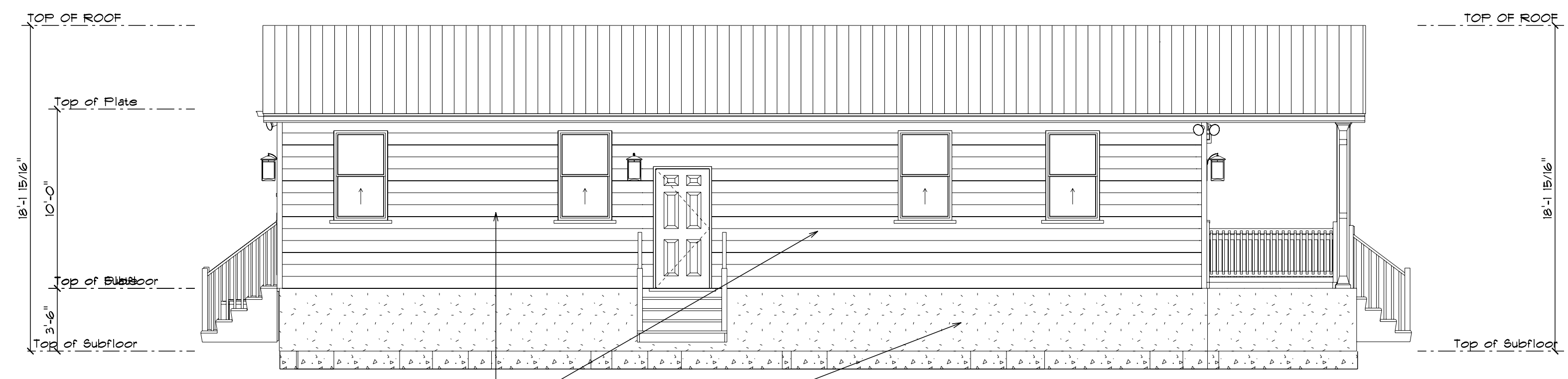
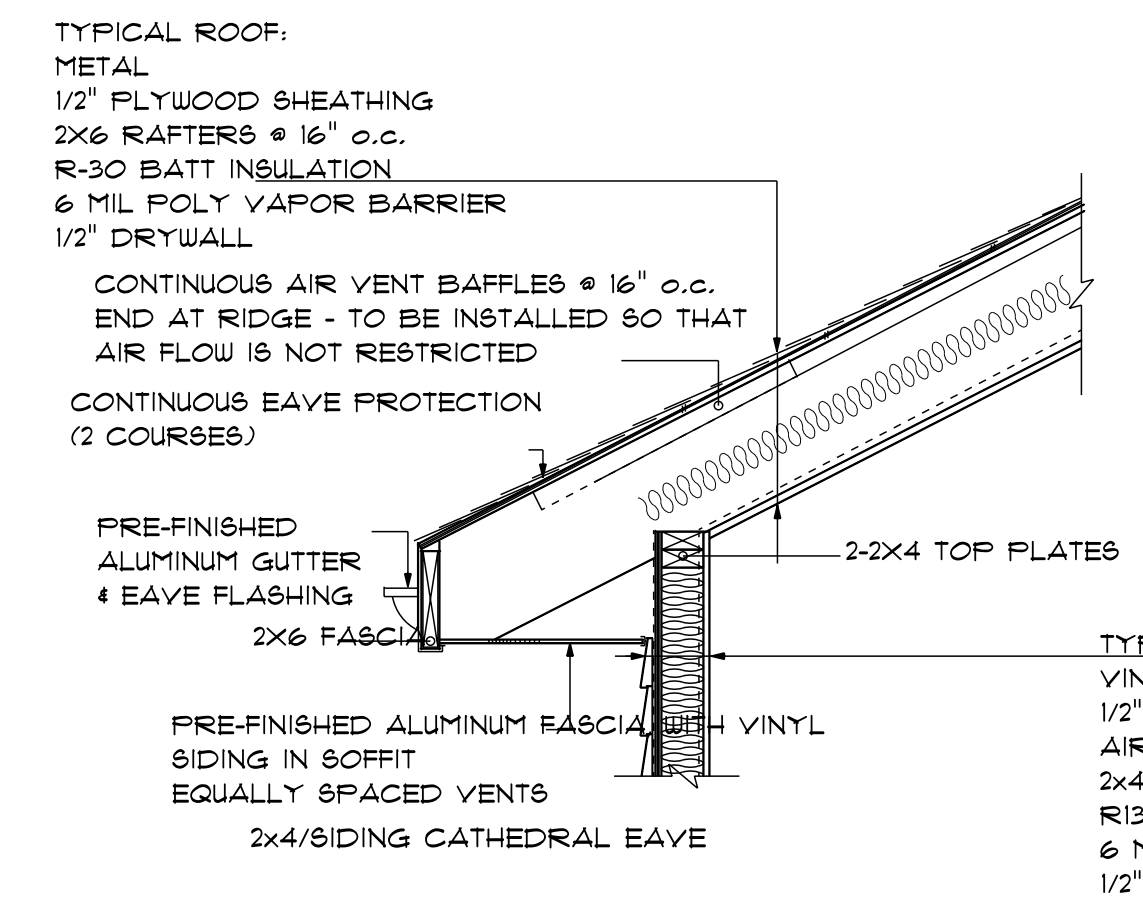
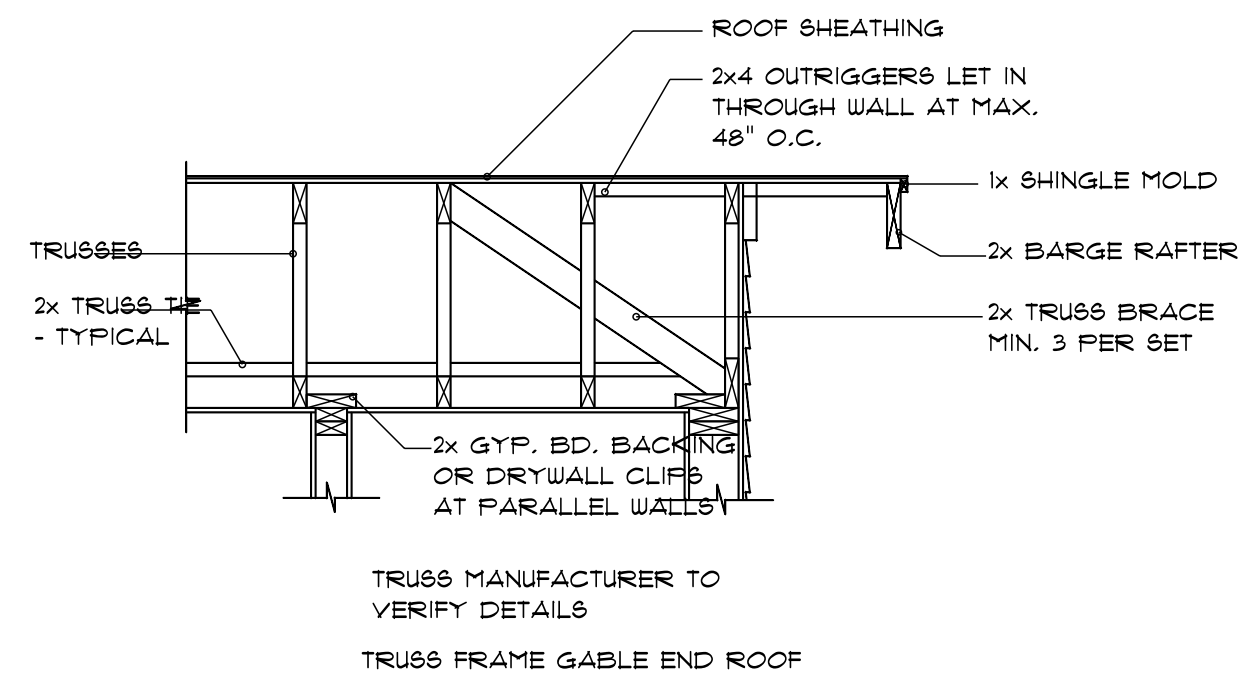


**REAR ELEVATION**  
SCALE: 1/4" = 1'-0"

**REAR ELEVATION**

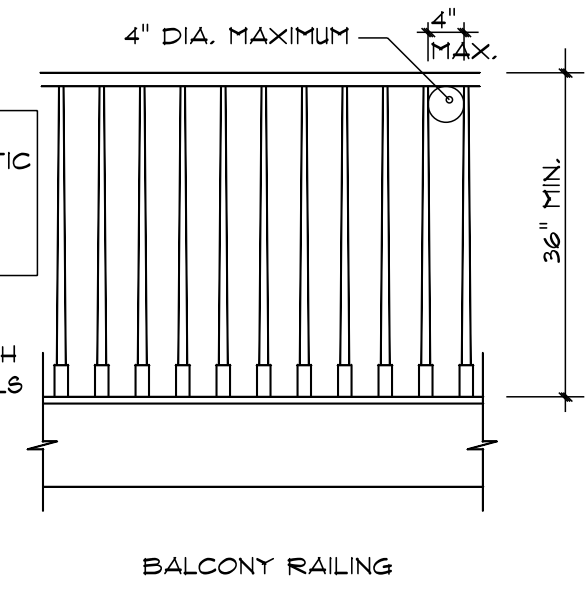


**LEFT ELEVATION**  
SCALE: 3/16" = 1'-0"

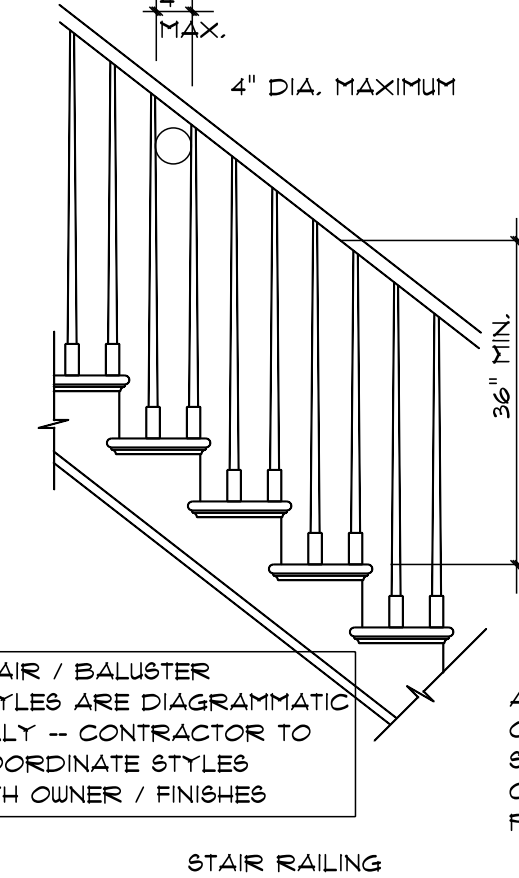
**LEFT ELEVATION**

STAIR / BALUSTER STYLES ARE DIAGRAMMATIC ONLY -- CONTRACTOR TO COORDINATE STYLES WITH OWNER / FINISHES

ALL HANDRAILS SHALL BE CONTINUOUS THE FULL LENGTH OF THE STAIRS. HANDGRIP PORTION OF ALL HANDRAILS SHALL NOT BE LESS THAN 1 1/4" NOR MORE THAN 2" IN CROSS SECTIONAL DIMENSION, OR THE SHAPE SHALL PROVIDE AN EQUIVALENT GRIPPING SURFACE



OPEN BALUSTRADE BALCONY / STAIR RAILINGS NOT LESS THAN 36" IN HEIGHT WITH PATTERN / SPACING SUCH THAT A SPHERE 4" IN DIA. CANNOT PASS THROUGH



STAIR / BALUSTER STYLES ARE DIAGRAMMATIC ONLY -- CONTRACTOR TO COORDINATE STYLES WITH OWNER / FINISHES

ALL HANDRAILS SHALL BE CONTINUOUS THE FULL LENGTH OF THE STAIRS. HANDGRIP PORTION OF ALL HANDRAILS SHALL NOT BE LESS THAN 1 1/4" NOR MORE THAN 2" IN CROSS SECTIONAL DIMENSION, OR THE SHAPE SHALL PROVIDE AN EQUIVALENT GRIPPING SURFACE