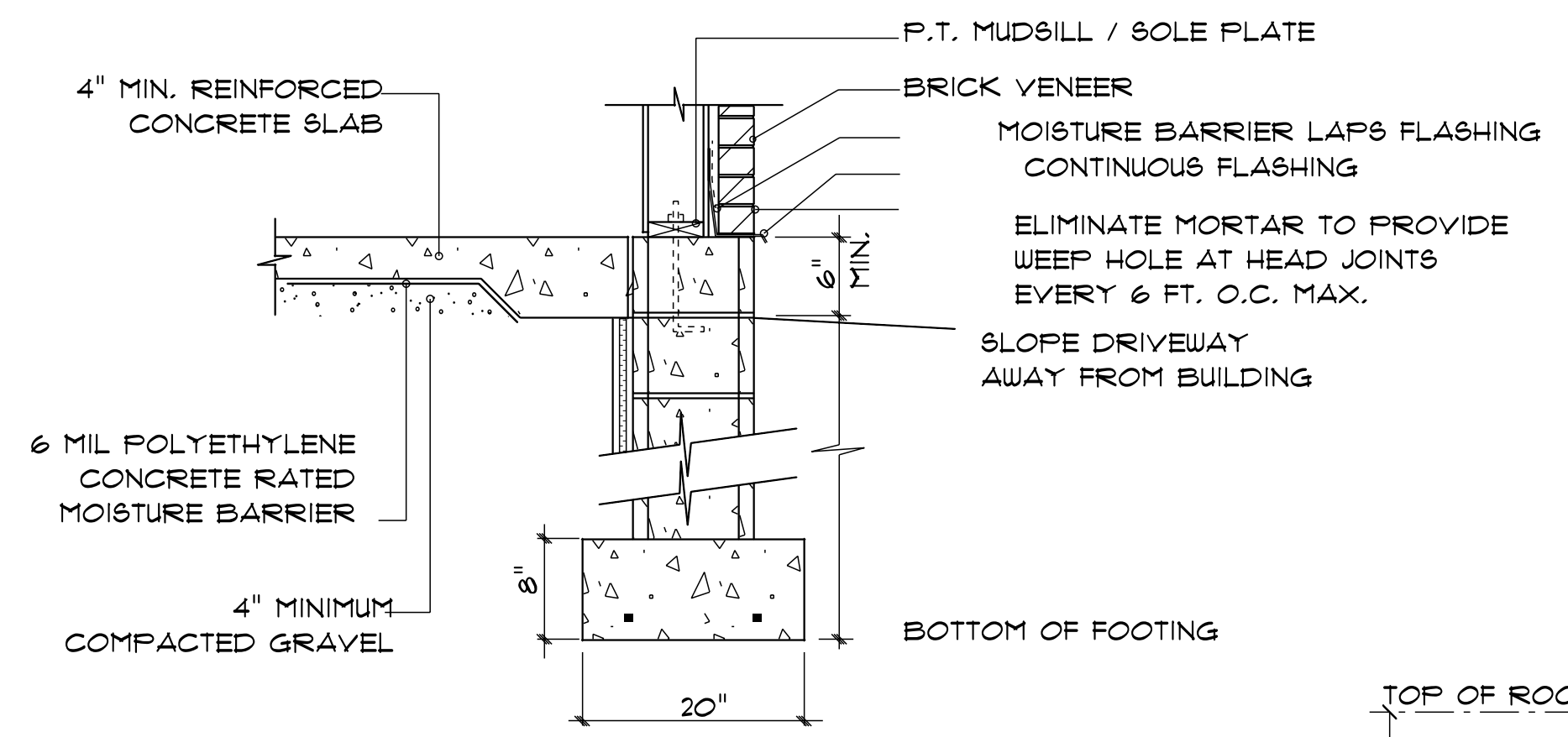
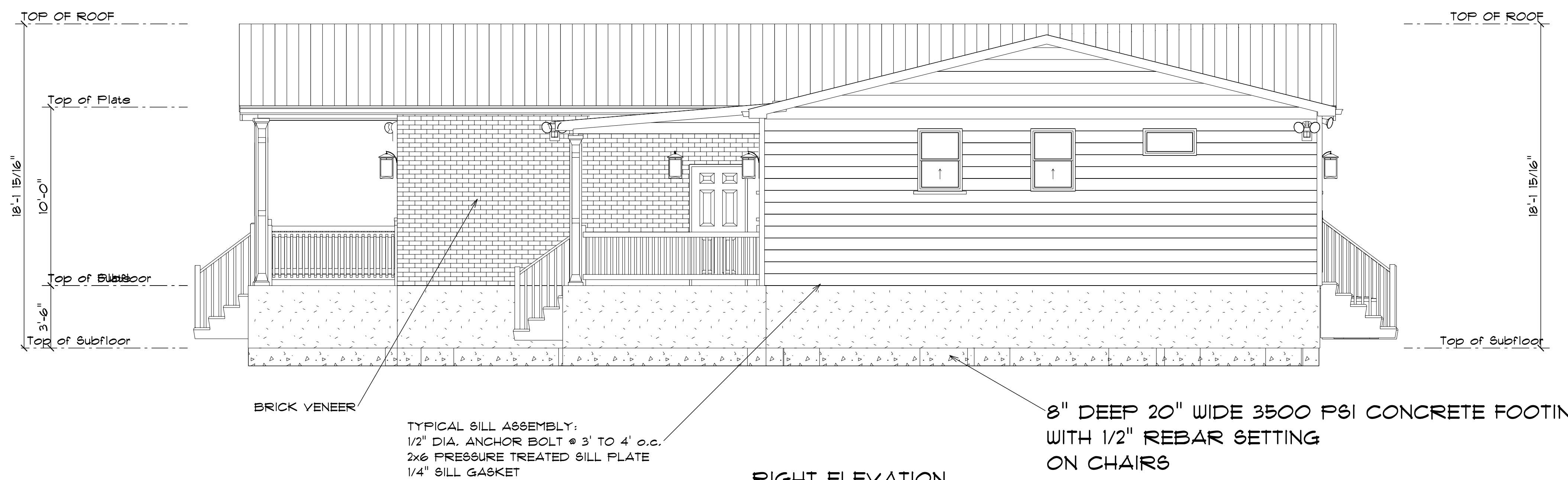
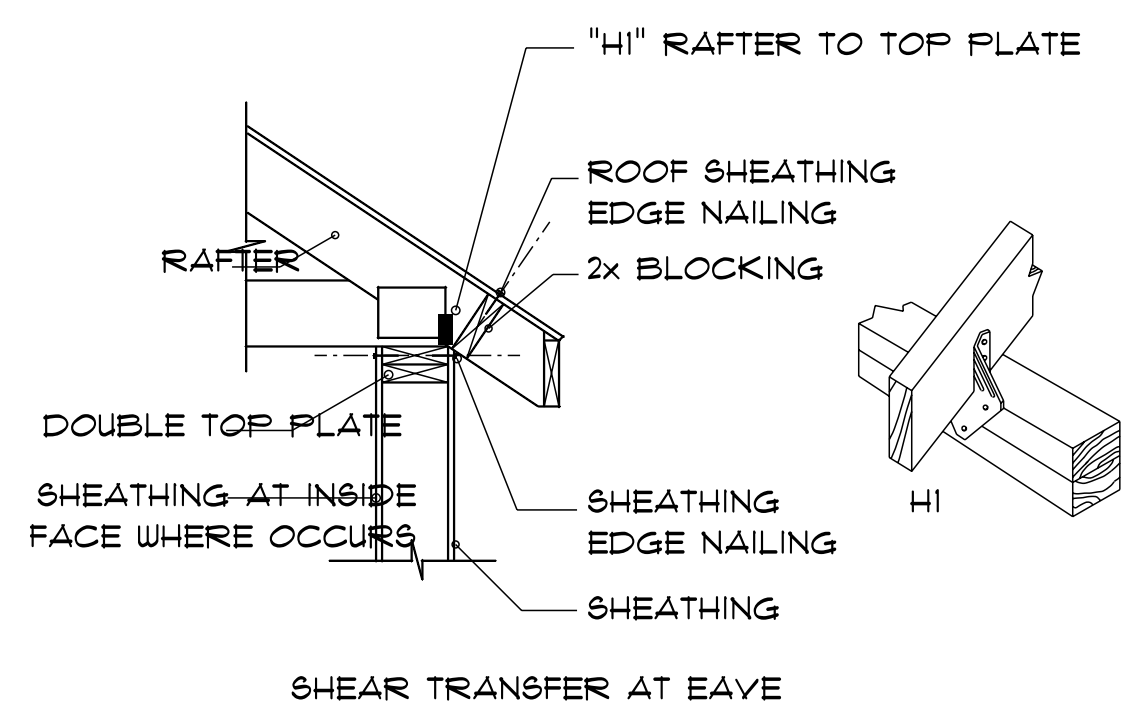


TYPICAL FRAME ROOF: GABLE
 METAL TRUSS ROOF
 1/2" ROOFING PLYWOOD c/w
 2x6 TOP CORD TRUSSES @ 24" o.c.
 2x4 COLLAR TIES @ 24" o.c. w/
 1x4 RIBBON TIE
 2x6 CEILING JOISTS @ 24" o.c. w/
 2x4 RIBBON TIE
 R30 BATT INSUL.
 6 mil POLY V.B.
 1/2" DRYWALL
 TAPED & SANDED

FRONT ELEVATION



FRONT ELEVATION
 SCALE: 1/4" = 1'-0"



RIGHT ELEVATION
 SCALE: 1/4" = 1'-0"

RIGHT ELEVATION